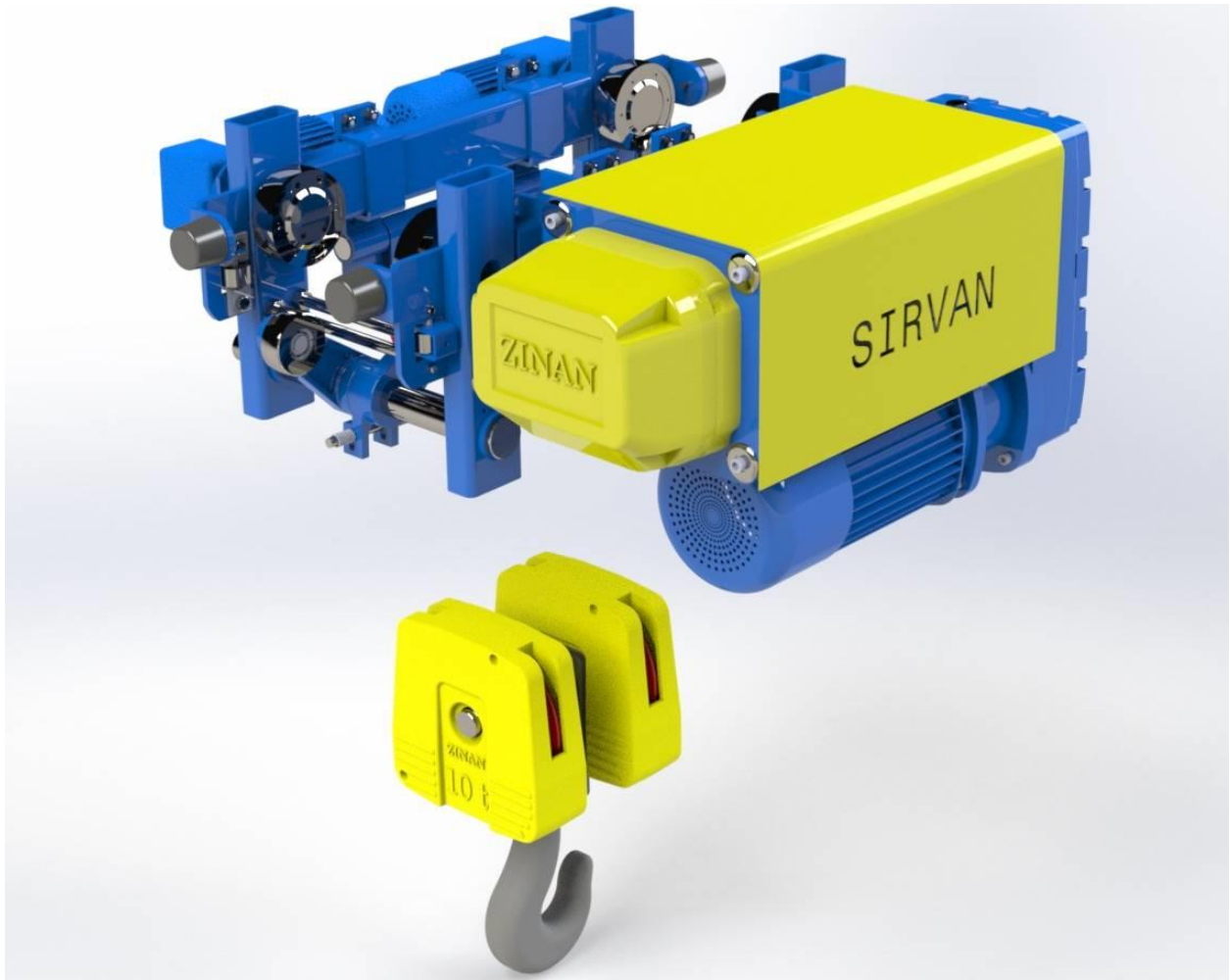


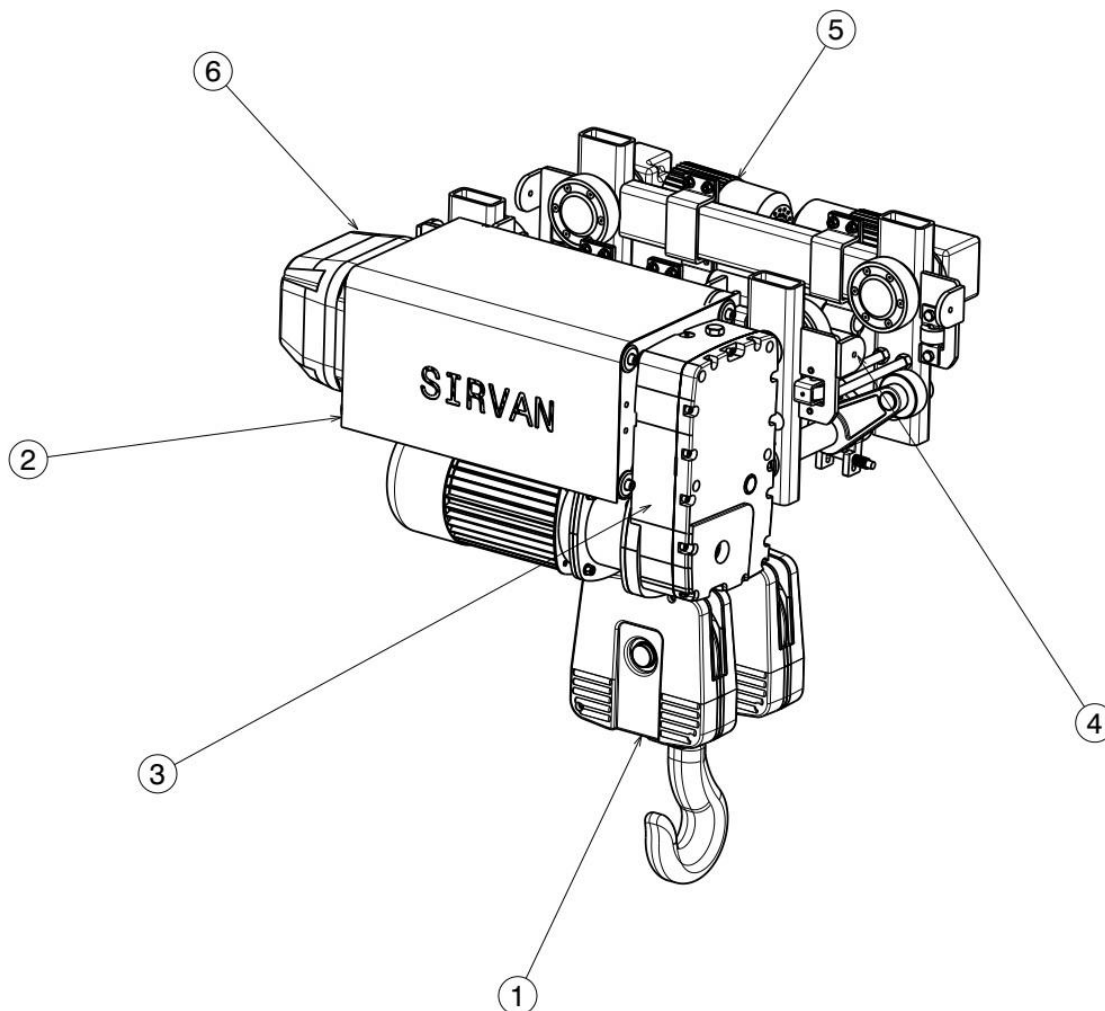
بالابر زنجیری سیروان



CE

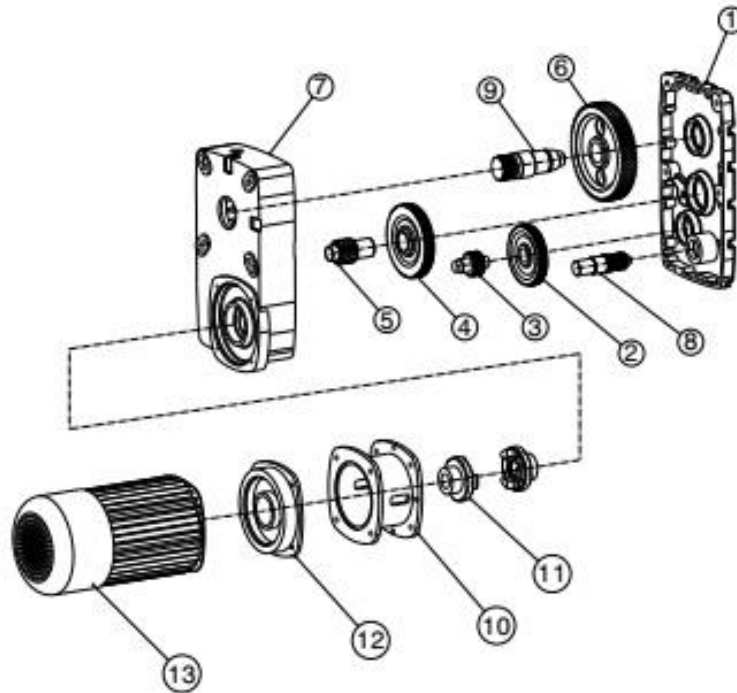
قدرت و کیفیت بالا
ایمنی و کارایی بی نظیر

SIRVAN HOIST PARTS



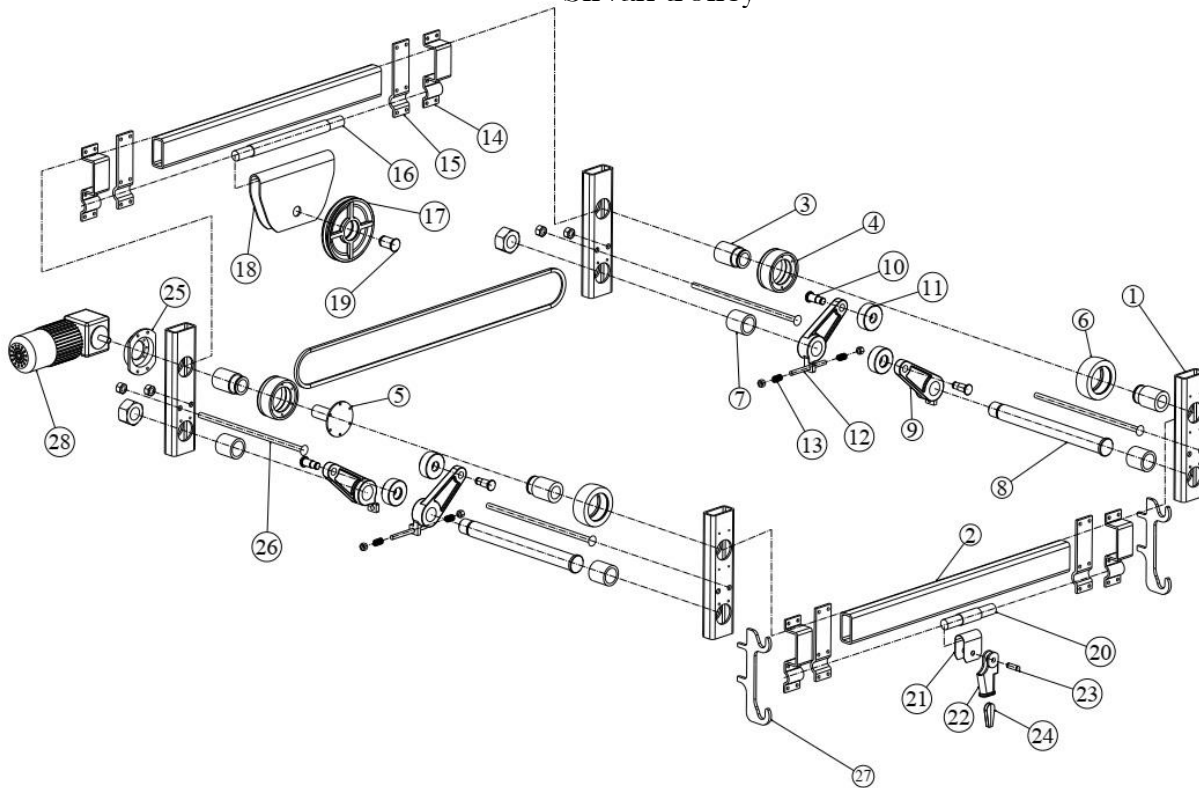
Item No.	Designation	Quantity	Description
1	Hook block	1	
2	Drum block	1	
3	Lifting Gear motor	1	
4	Sirvan trolley	1	
5	Gear motor traveling	1	
6	Panel box	1	

LIFTING GEAR MOTOR



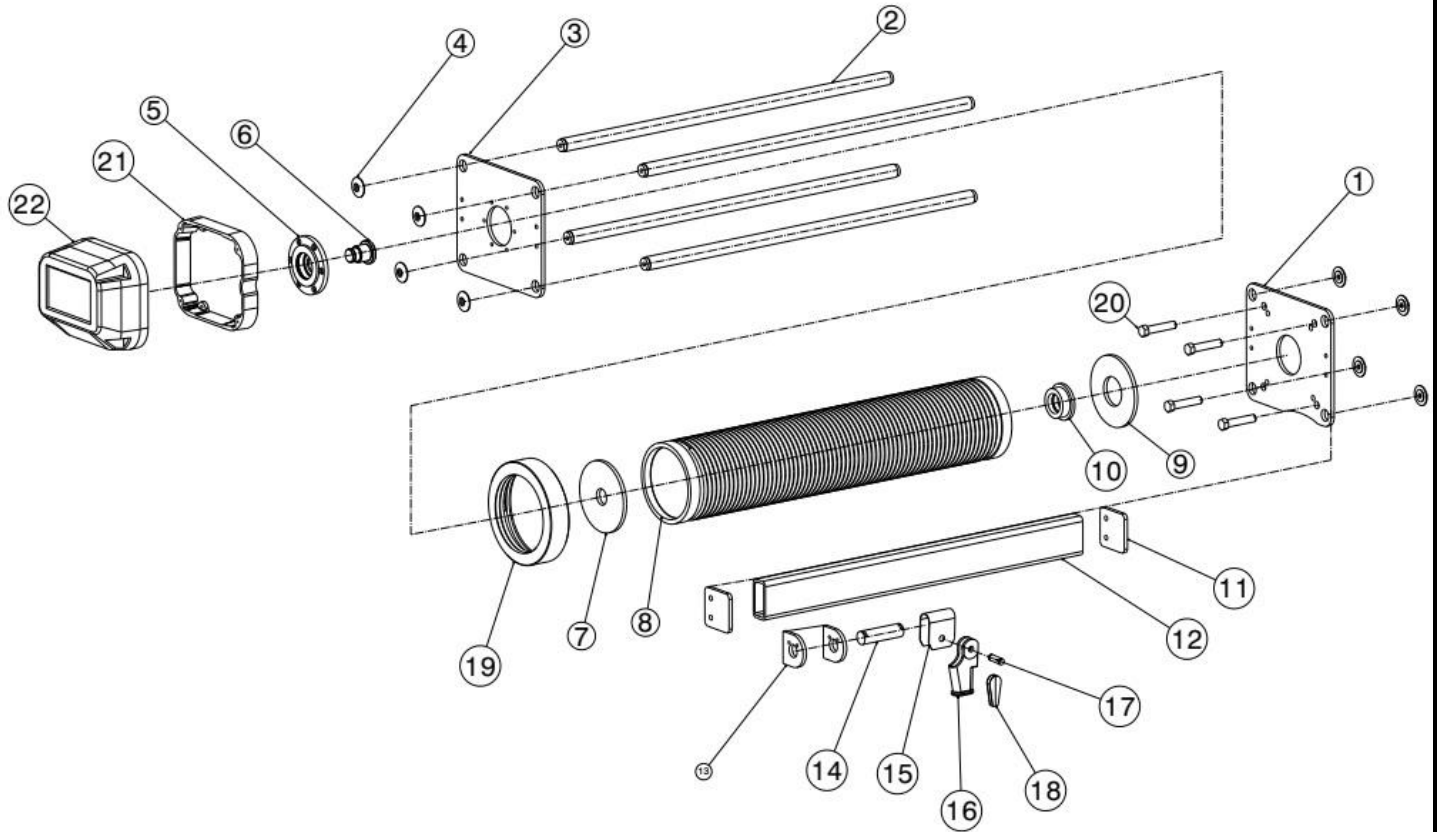
Technical Number	Name	Standard	Material	Quantity
1	Z.S.G.1	Gearbox - Door		1
2	Z.S.G.2	Gear No.2		1
3	Z.S.G.3	Gear No.3		1
4	Z.S.G.4	Gear No.4		1
5	Z.S.G.5	Gear No.5		1
6	Z.S.G.6	Gear No.6		1
7	Z.S.G.7	Gearbox - base		1
8	Z.S.G.8	Drive shaft		1
9	Z.S.G.9	Spline shaft		1
10	Z.S.G.10	Coupling housing		1
11	Z.S.G.11	Coupling		2
12	Z.S.G.12	Adaptor flange of motor		1
13	Z.S.G.13	Motor		1

Sirvan trolley

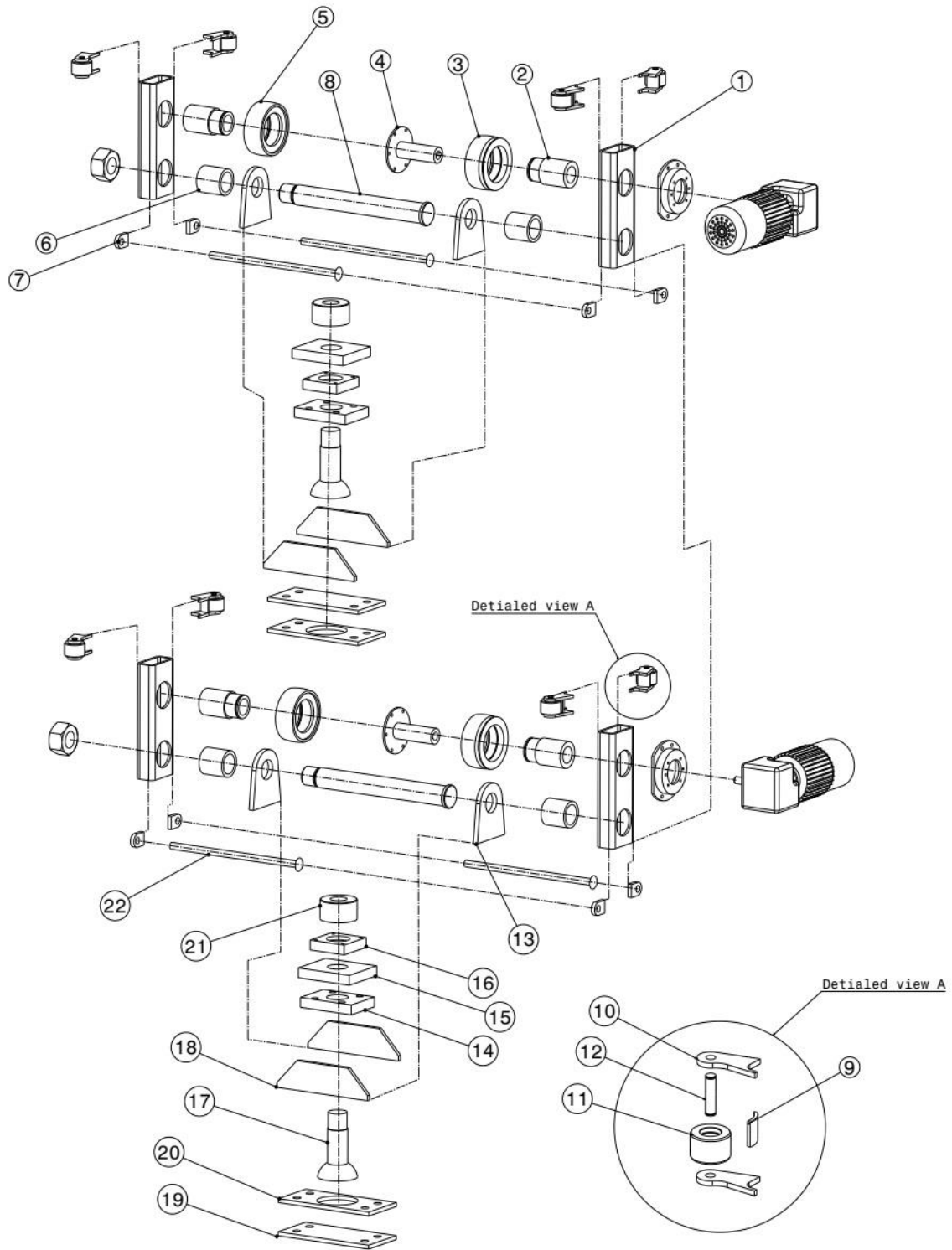


	Technical Number	Name	Material	Standard	Quantity
1	Z.S.L.T.3001	Trolley profile			4
2	Z.S.L.T.3002	Trolley profile			2
3	Z.S.L.T.3003	Axel shaft of trolley weel			4
4	Z.S.L.T.3004	V-belt weel			2
5	Z.S.L.T.3005	Adaptor flange of weel			1
6	Z.S.L.T.3006	Trolley weel			2
7	Z.S.L.T.3007	Bosh of counterweight shaft			2
8	Z.S.L.T.3008	Counterweight shaft of trolley			2
9	Z.S.L.T.3009	Balance arm			4
10	Z.S.L.T.3010	Axel shaft of balance arm weel			4
11	Z.S.L.T.3011	Balance arm's weel			4
12	Z.S.L.T.3012	Balance arm's thread			2
13	Z.S.L.T.3013	Balance arm's spring			2
14	Z.S.L.T.3014	Traverse shaft's fastener - A			4
15	Z.S.L.T.3015	Traverse shaft's fastener - B			4
16	Z.S.L.T.3016	Traverse's shaft			1
17	Z.S.L.T.3017	Traverse weel			1
18	Z.S.L.T.3018	Traverse			1
19	Z.S.L.T.3019	Traverse weel shaft			1
20	Z.S.L.T.3020	Wedge traverse's shaft			1
21	Z.S.L.T.3021	Wedge's traverse			1
22	Z.S.L.T.3022	Wedge			1
23	Z.S.L.T.3023	Wedge shaft			1
24	Z.S.L.T.3024	Chock			1
25	Z.S.L.T.3025	Adaptor flange of motor			1
26	Z.S.L.T.3026	Metric thread			4
27	Z.S.L.T.3027	Hoist fastener			2
28	Z.S.L.T.3028	Trolley's motor			1

Drum Block



	Technical Number	Name	Standard	Material	Quantity
1	Z.S.H.2001	Hoist plate - Gearbox side (GS)			1
2	Z.S.H.2002	Hoist shaft			4
3	Z.S.H.2003	Hoist plate - Limit switch side (LS)			1
4	Z.S.H.2004	Hoist plate washer			8
5	Z.S.H.2005	Bearing Housing of drum			1
6	Z.S.H.2006	Step down shaft of drum			1
7	Z.S.H.2007	Drum flange - LS			1
8	Z.S.H.2008	Drum			1
9	Z.S.H.2009	Drum flange - GS			1
10	Z.S.H.2010	Spline hub drive flange of drum			1
11	Z.S.H.2012	Profile fastener			2
12	Z.S.H.2013	Traverse stand			1
13	Z.S.H.2014	Fastener of traverse shaft			2
14	Z.S.H.2015	traverse shaft			1
15	Z.S.H.2016	Traverse			1
16	Z.S.H.2017	Wedge - 14 mm			1
17	Z.S.H.2018	Wedge shaft			1
18	Z.S.H.2019	chock			1
19	Z.S.H.2020	Cincture			1
20	Z.S.H.2021	Sokcet thread			4
21	Z.S.H.2025	Switchboard - Base			1
22	Z.S.H.2026	Switchboard - Door			1



	Technical Number	Name	Standard	Material	Quantity
1	Z.S.T.H.1001	Trolley profile			4
2	Z.S.T.H.1002	Axel shaft of trolley weel			4
3	Z.S.T.H.1003	V-belt weel			2
4	Z.S.T.H.1004	Adaptor flange of weel			1
5	Z.S.T.H.1005	Weel of trolley			2
6	Z.S.T.H.1006	Bush of counterweight shaft			2
7	Z.S.T.H.1007	Metric thread stand			8
8	Z.S.T.H.1008	Counterweight shaft of trolley			2
9	Z.S.T.H.1009	Spacer of balance rollic			8
10	Z.S.T.H.1010	Rollic plate			16
11	Z.S.T.H.1011	Rollic			8
12	Z.S.T.H.1012	Shaft of rollic			8
13	Z.S.T.H.1013	Rotary plate - 1			4
14	Z.S.T.H.1014	Rotary plate - 2			2
15	Z.S.T.H.1015	Rotary plate - 3			2
16	Z.S.T.H.1016	Rotary plate - 4			2
17	Z.S.T.H.1017	Rotary shaft			2
18	Z.S.T.H.1018	Rotary plate - 5			4
19	Z.S.T.H.1019	Rotary plate - 6			2
20	Z.S.T.H.1020	Rotary plate - 7			2
21	Z.S.T.H.1021	Rotary shaft nut			2
22	Z.S.T.H.1022	Metric thread			4